



Cardington-Lincoln Public Library
128 East Main Street, P.O. Box 38
Cardington, Ohio 43315
Telephone: 419.864.8181
Fax: 419.864.8184

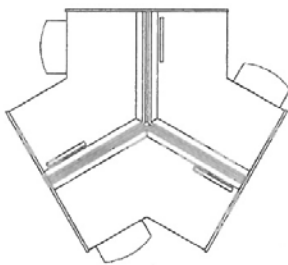
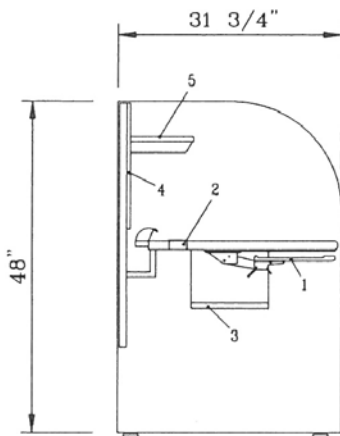
SURPLUS LIBRARY PROPERTY

The Cardington-Lincoln Public Library does not have the space to store the items on the following pages and would like to find a new home for each. All offers will be considered.

Contact:
Lisa Murray
Director/Fiscal Officer
cardlinc@oplin.org

Blanton & Moore Co. Computer/Project Research Station

- A three-station, 360° angled unit designed to provide maximum comfort and efficiency to the longer term user.
- Equipped with the following: (1) articulating keyboard mechanism, (2) paper slot, (3) paper storage below top, (4) half reference shelf, (5) continuous slot and hinged access to the wire management trough.
- Panels are 1" thick plywood with plain sliced Oak veneer faces and solid Oak edgebanding.
- Levelers installed in end and intermediate panels.
- The work top is 1-1/4" thick with high-pressure plastic laminate surfacing over lumber core plywood, banded in Oak on the front edge, and mounted at 28" height.
- Purchased from Brad Butler & Associates, New Albany, OH in the mid-1990's. Blueprints available.
- Excellent condition with normal wear and tear.



Revolving Multimedia Displayer

- Features 4 tiers with 64 black metal shelves measuring 9½”H x 7”W x 1¼”D.
- Steel pole and laminate base measures 69”H x 20”W.
- Full view of titles.
- Adjustable display configurations.
- Includes adjustable levelers to accommodate uneven floors.
- Purchased through Gaylord, date unknown.
- Good condition.



Public Information Kiosk

- All-purpose message and information center.
- Tan velour fabric with walnut finish base.
- The 4-sided information tower provides maximum display in minimum floor space.
- Use T-pins to attach information materials.
- Each display side measures 58½”H x 23½”W.
- Entire unit measures 70¾”H x 23½”W x 23½”D.
- Good condition.



Hanging Bag Displayer

- Solid steel rings support up to 100 hanging bags each.
- Revolving rack is 40”H on a 20” diameter base.
- The space between tiers measures 17½”.
- Includes adjustable levelers to accommodate uneven floors.
- Bags not included.
- Good condition.

Accordion Door

- Partition measures 8’11”H x 9’8”W. It is not currently installed.
- Wrinkle-free, impact resistant burgundy color cover. Feels like carpet.
- Precision-engineered steel internal pantograph.
- Steel ball bearing trolley with nylon tires.
- Heavy duty aluminum track. No anchor at jamb.
- Purchased in 2003. Excellent condition.
- Installed for two years, but never used.



Color Laser Printer

- Ricoh Aficio CL2000 N
- Needs a repair estimated to cost \$400.
- Includes 3 spare color LP toner cassettes, type 125 (cyan, magenta, and yellow). Value, \$262.
- The following parts are all brand new: color photoconductor, black photoconductor, intermediate transfer belt, waste toner bottle. Value, \$559.



Also available:

- CD-RW drives from an HP Compaq dc5100, 48x/32x/48x. Seven available.